

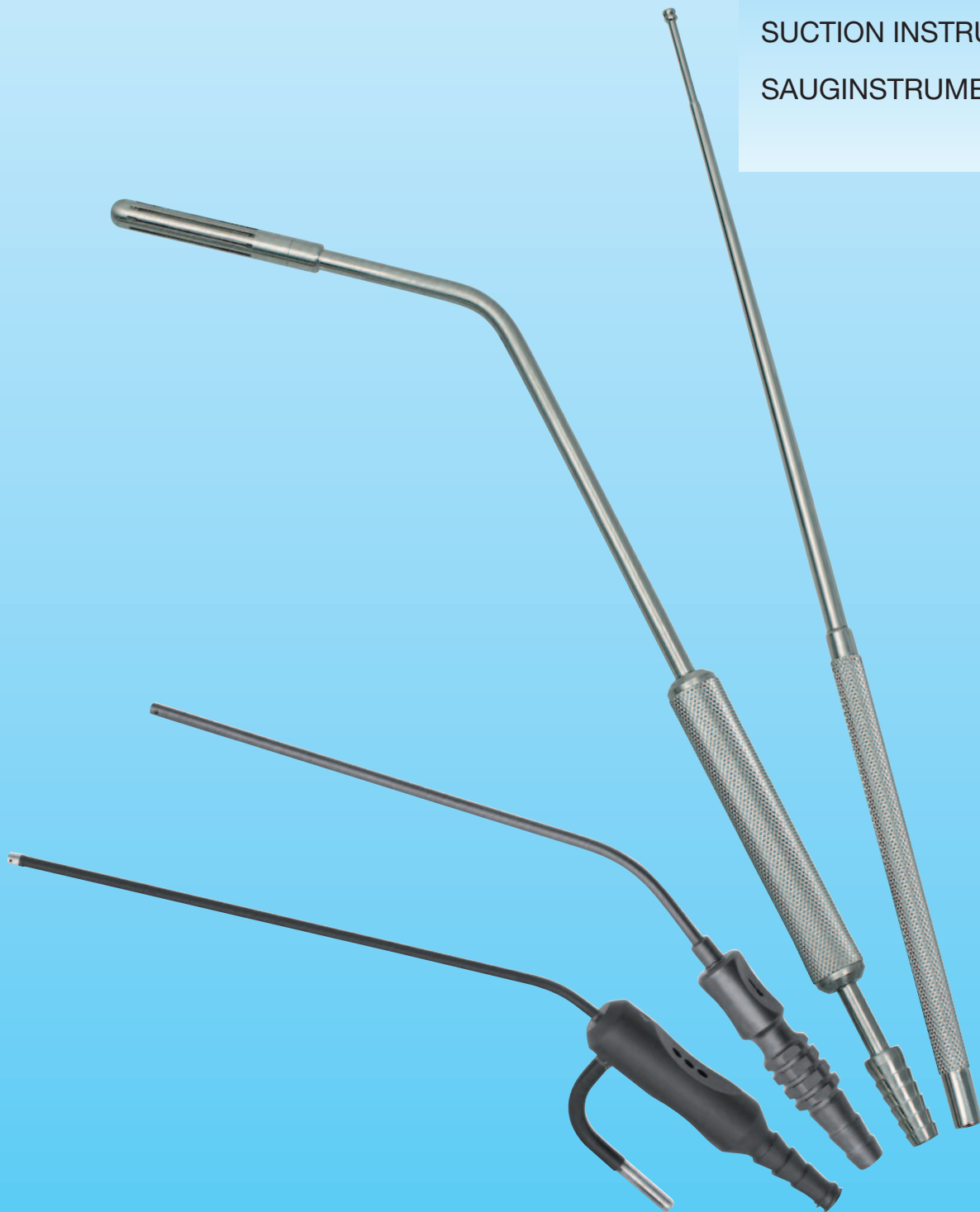
*FEHLING...*

*... THE DIFFERENCE*

8

SUCTION INSTRUMENTS

SAUGINSTRUMENTE



**FEHLING**  
INSTRUMENTS

Hanauer Landstraße 7A · 63791 Karlstein/Germany · [www.fehling-instruments.de](http://www.fehling-instruments.de)



+49 (0) 61 88 - 95 74.40

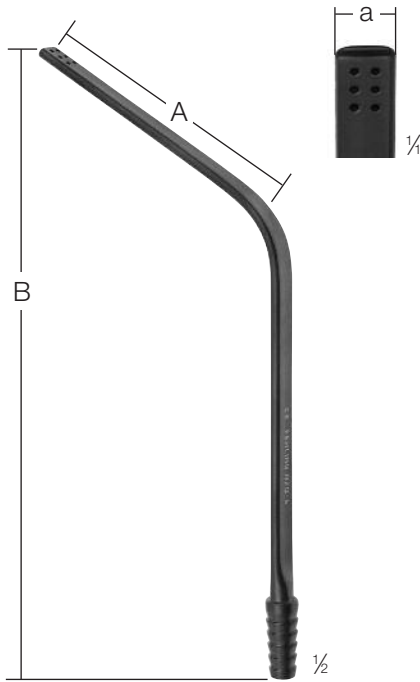


+49 (0) 61 88 - 95 74.45



[info@fehling-instruments.de](mailto:info@fehling-instruments.de)

CERAMO®



WIDTH BREITE a	LENGTH LÄNGE A / B		
	70 / 155 mm	80 / 160 mm	90 / 165 mm
6 mm	NZQ-7V	NZQ-8V	NZQ-9V
8 mm	NZQ-3V	NZQ-4V	NZQ-5V

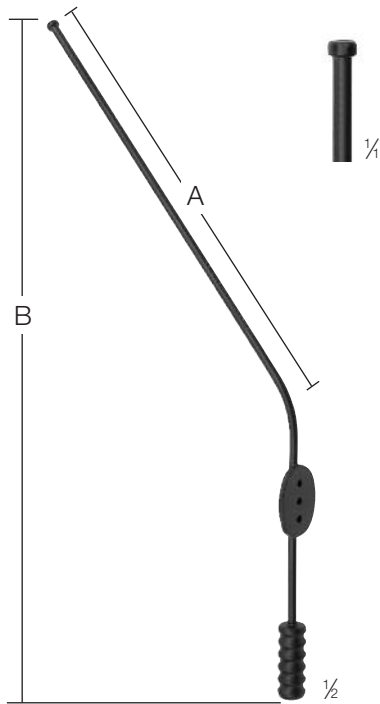
SCHROEDER  
SUCTION SPATULA  
SAUGSPATEL



WIDTH BREITE a	
6 mm	NZQ-2
8 mm	NZQ-1

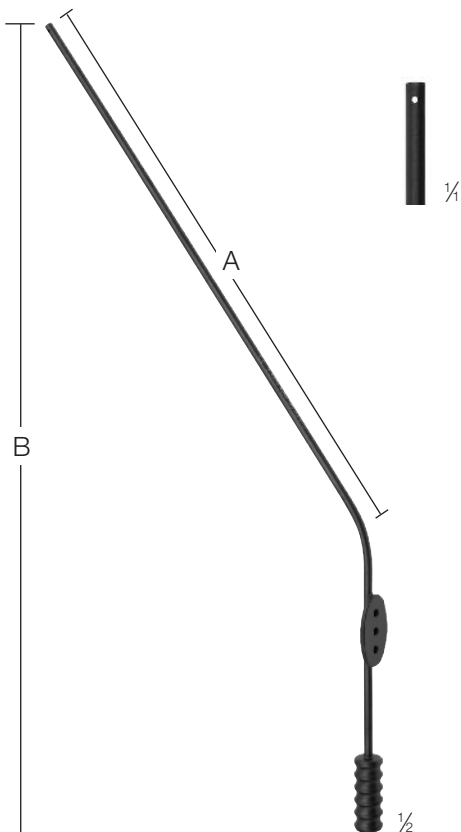
SUCTION NERVE ROOT RETRACTOR  
SAUG-NERVVUZELHAKEN  
95 / 135 mm

CERAMO® SCHICK



Ø TUBE ROHR	LENGTH LÄNGE A / B	
	130 / 180 mm	170 / 210 mm
2,5 mm	HAV-7	HAV-8
3,0 mm	HAV-9	HAW-0

CEREBRAL SUCTION TUBE  
CEREBRALSAUGER



Ø TUBE ROHR	LENGTH LÄNGE A / B	
	130 / 180 mm	170 / 210 mm
1,5 mm	HAV-5	HAV-6
2,5 mm	HAV-1	HAV-2
3,0 mm	HAV-3	HAV-4

MICRO SUCTION TUBE  
MIKROSAUGER

CERAMO®



½

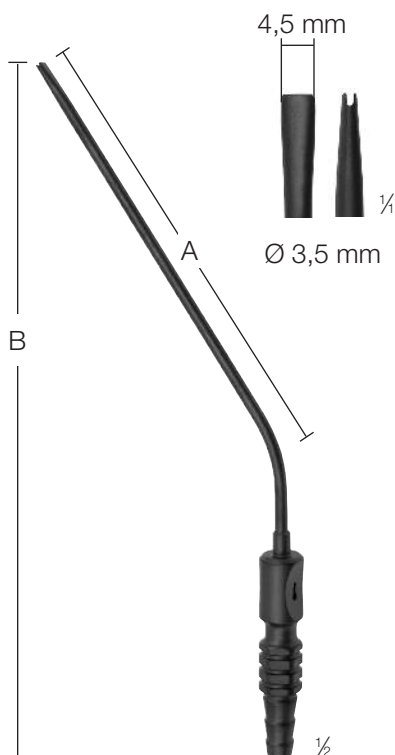
PITUITARY SUCTION CANNULA  
HYPOPHYSENSAUGER  
200 mm



¼

¼

Ø TUBE ROHR	45°	60°
2,0 mm	HAW-1	HAW-2
3,0 mm	HAW-3	HAW-4



4,5 mm

Ø 3,5 mm

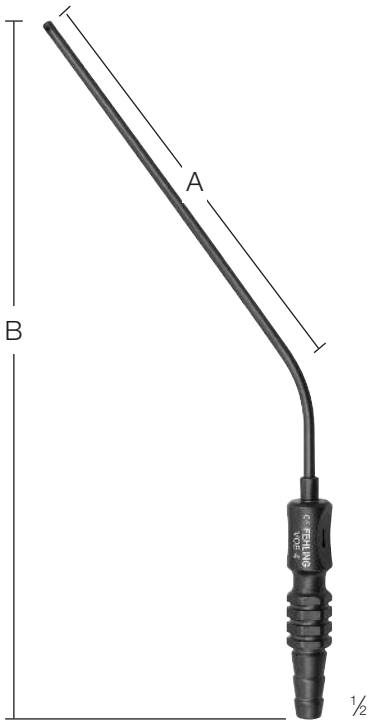
¼

½

DISSECTING ASPIRATOR  
DISSEKTIONSSAUGER

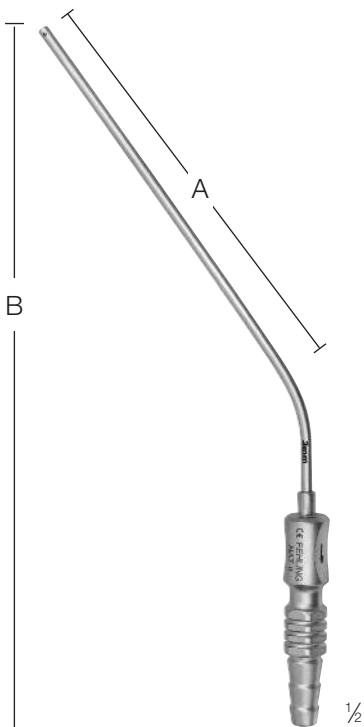
LENGTH LÄNGE A / B	
120 / 190 mm	NZV-3
220 / 250 mm	NZV-0

FRAZIER



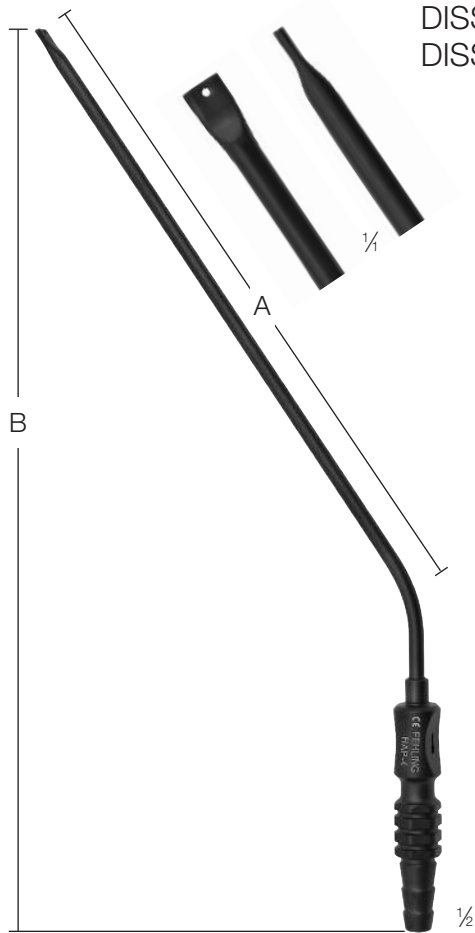
CERAMO®

Ø TUBE ROHR	LENGTH LÄNGE A / B		
	115 / 180 mm	145 / 200 mm	210 / 250 mm
1,0 mm	–	VOC-1	VOE-4
1,5 mm	–	VOC-7	–
2,0 mm	VOB-2	VOC-2	VOE-5
2,5 mm	VOB-3	VOC-3	VOE-6
3,0 mm	VOB-4	VOC-4	VOE-7
4,0 mm	VOB-5	VOC-5	VOE-8
5,0 mm	VOB-6	VOC-6	VOE-9



UNCOATED  
UNBESCHICHTET

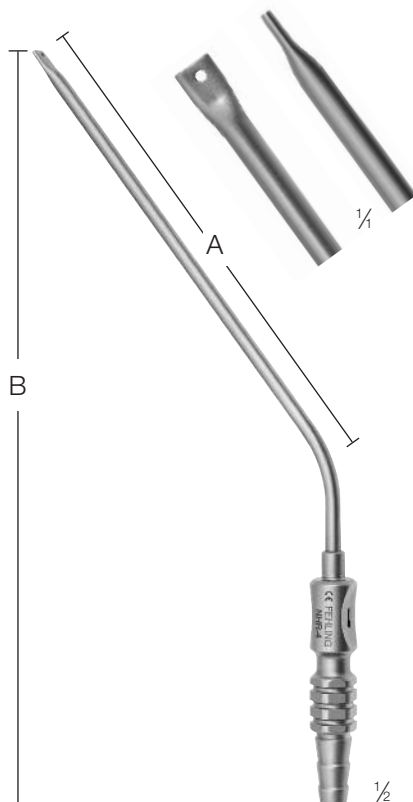
Ø TUBE ROHR	LENGTH LÄNGE A / B		
	115 / 180 mm	145 / 200 mm	210 / 250 mm
1,0 mm	–	HAR-1	–
1,5 mm	HAT-5	–	–
2,0 mm	NAT-7	HAR-2	NHR-8
2,5 mm	NAT-8	HAR-0	NHS-0
3,0 mm	NAT-9	HAR-3	NHR-9
4,0 mm	NAU-1	HAR-4	NHS-1
5,0 mm	NAU-2	HAP-9	NHS-2



DISSECTION CANNULAS  
DISSEKTIONSSAUGER

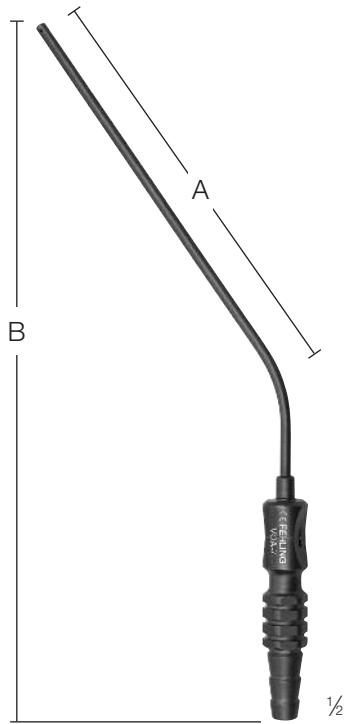
Ø TUBE ROHR	LENGTH LÄNGE A / B	
3,0 mm	125 / 190 mm	HAP-5
4,0 mm	175 / 245 mm	HAP-4

CERAMO®  
KINTZEL



Ø TUBE ROHR	LENGTH LÄNGE A / B	
3,0 mm	110 / 170 mm	NHR-0
4,0 mm	120 / 190 mm	NHR-4
		NGG-5
4,0 mm	140 / 210 mm	NHA-8

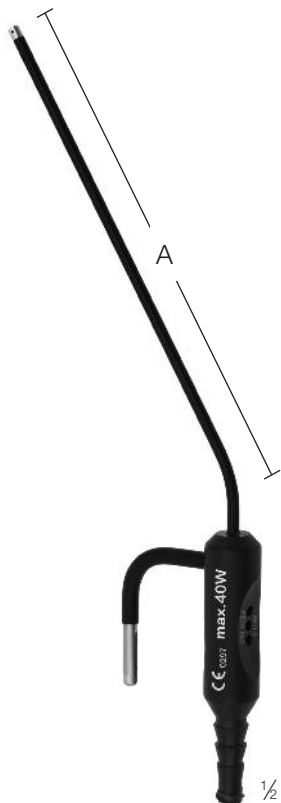
CERAMO®

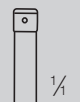
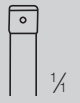


MALLEABLE  
BIEGBAR

Ø TUBE ROHR	LENGTH LÄNGE A / B	
	120 / 180 mm	160 / 210 mm
1,0 mm	VOA-5	VOB-0
2,0 mm	VOA-6	VOA-1
3,0 mm	VOA-7	VOA-2
4,0 mm	VOA-8	VOA-3
5,0 mm	VOA-9	VOA-4
6,0 mm	-	VOA-0

CERAMO®  
SUCTION CANNULA  
SAUGKANÜLE



Ø TIP SPITZE	
 3,3 mm	WEU-0
 4,0 mm	WEU-1

NON-STICK\*  
MONOPOLAR SUCTION TUBE  
MONOPOLARER SAUGER  
A = 130 mm




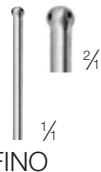
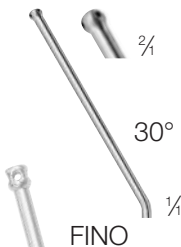



CLEANING BRUSH  
REINIGUNGSBÜRSTE  
360 mm  
WEU-4

\* limited distribution territory  
eingeschränktes Vertriebsrecht

JAMIESON

DISSECTION CANNULAS  
DISSEKTIONSSAUGER

	Ø HOLE / BALL LOCH / KUGEL	LENGTH LÄNGE		
	0,5 mm	270 mm		MMT-1
	1,0 mm	210 mm		MNF-0
		270 mm		MNF-6
	1,5 mm	270 mm		MMA-7
	1,0 mm	260 mm		MMC-0
	1,5 mm	270 mm		MME-5
	1,5 mm	290 mm		MME-1
	1,5 mm	290 mm		MME-2
	0,5 mm	a = 70 mm 270 mm	15°	MME-3
			30°	MMJ-0
	1,0 mm	a = 60 mm 270 mm	30°	MMJ-6
	1,0 mm	a = 70 mm 270 mm	15°	MME-4
			30°	MMB-0





VALVULAR SUCTION TUBE  
SAUGER FÜR KLAPPENCHIRURGIE

300 mm	350 mm*
MNO-0	MNO-8



CERAMO®  
SUCTION CANNULA FOR  
VALVE DECALCIFICATION  
ENTKALKUNGSSAUGER  
240 mm  
MNF-5



HLM-ASPIRATOR  
HLM-SAUGER  
280 mm  
MEL-7

\* particularly for MICS MVR  
speziell für MICS MKR/MKE



225 mm  
MCE-9



ANDREWS PYNCHON  
240 mm

PEDIATRIC  
PÄDIATRISCH

Ø	
3,0 mm	MNO-4
4,2 mm	MNO-5



245 mm  
MCE-8



210 mm  
MNE-5



SEBENING  
180 mm  
MNE-8

GRECO

PEDIATRIC  
PÄDIATRISCH



DETACHABLE BASKET  
KORB ABNEHMBAR

1/2  
180 mm

∅ TUBE / ROHR	
3,3 mm	MNM-1
5,0 mm	MNM-3



DETACHABLE BASKET  
KORB ABNEHMBAR

1/2  
160 mm

∅ TUBE / ROHR	
3,3 mm	MNM-2
5,0 mm	MNM-4



1/2  
210 mm

∅ TUBE / ROHR	
3,3 mm	MNL-2
5,0 mm	MNL-5



1/2  
180 mm

∅ TUBE / ROHR	
3,3 mm	MNL-1
5,0 mm	MNL-4

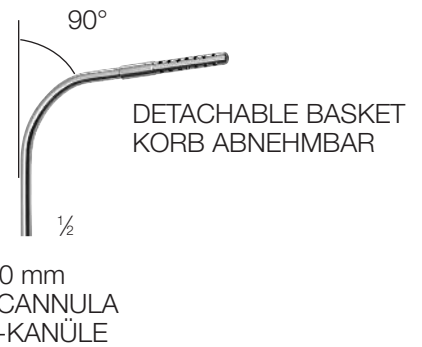
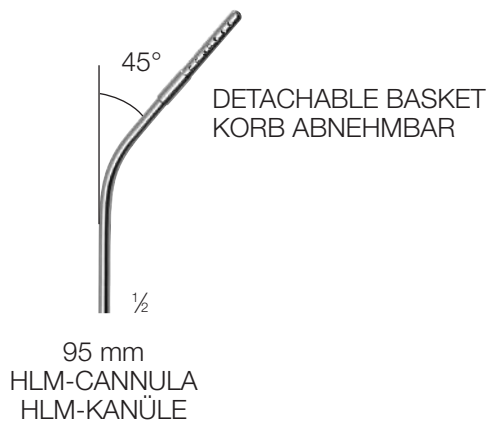


1/2  
150 mm

∅ TUBE / ROHR	
3,3 mm	MNL-3
5,0 mm	MNL-6

GRECO

PEDIATRIC  
PÄDIATRISCH



Ø TUBE / ROHR	
3,3 mm	MNM-5
5,0 mm	MNM-7

Ø TUBE / ROHR	
3,3 mm	MNM-6
5,0 mm	MNM-8

VENTRICULAR SUCTION CANNULAS FOR 1/4" TUBE  
VENTRIKELSAUGER FÜR 1/4" SCHLAUCH



Ø 6 mm  
L 23 mm  
MKN-8



Ø 7 mm  
L 25 mm  
MKK-5



PEDIATRIC VENTRICULAR SUCTION CANNULA  
KINDER-VENTRIKELSAUGER



Ø 16 mm	9 x 12 mm
MCC-0	MCC-1



HEPARIN CANNULA  
HEPARINKANÜLE

Ø TUBE ROHR	LENGTH LÄNGE		
	48 mm	55 mm	160 mm
1,2 mm	HAH-9	HAI-2	—
2,0 mm	—	—	HAI-3

MALLEABLE  
BIEGSAM

Ø TUBE ROHR		
1,2 mm	VAD-3	VAD-4
1,5 mm	VAD-5	VAD-6
2,0 mm	VAD-0	—



BUTTONED CANNULAS  
KNOPFKANÜLEN  
80 mm

VASCULAR IRRIGATORS  
VASKULARSPÜLKÖPFE



FIG. 1  
MEF-6



FIG. 2  
MEF-7



FIG. 3  
MEF-8

TUBE / SCHLAUCH  
← Ø = 1,5 mm

TUBE / SCHLAUCH  
← Ø = 2,0 mm →

LUER-LOCK ADAPTER  
LUER-LOCK-ANSATZ



FIG. 1  
MFO-8



FIG. 2  
MFO-9



FIG. 3  
MFP-1